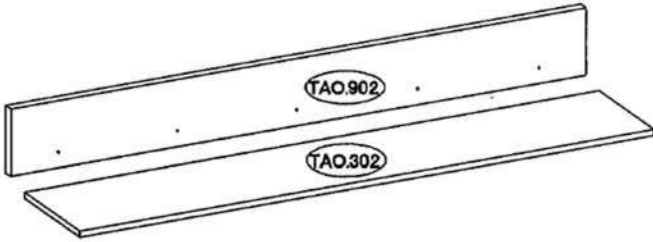
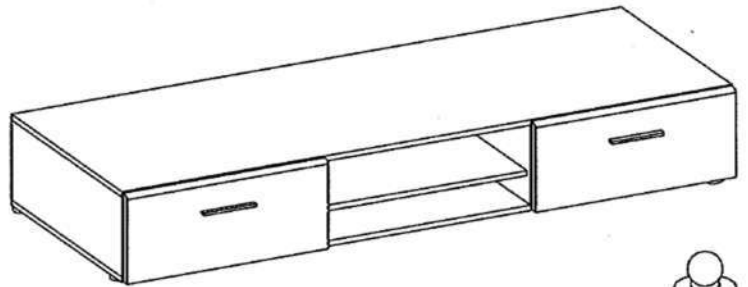
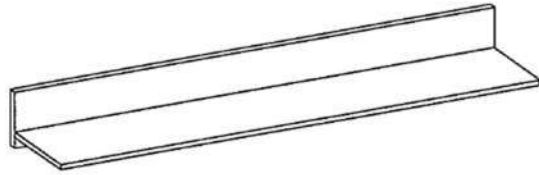


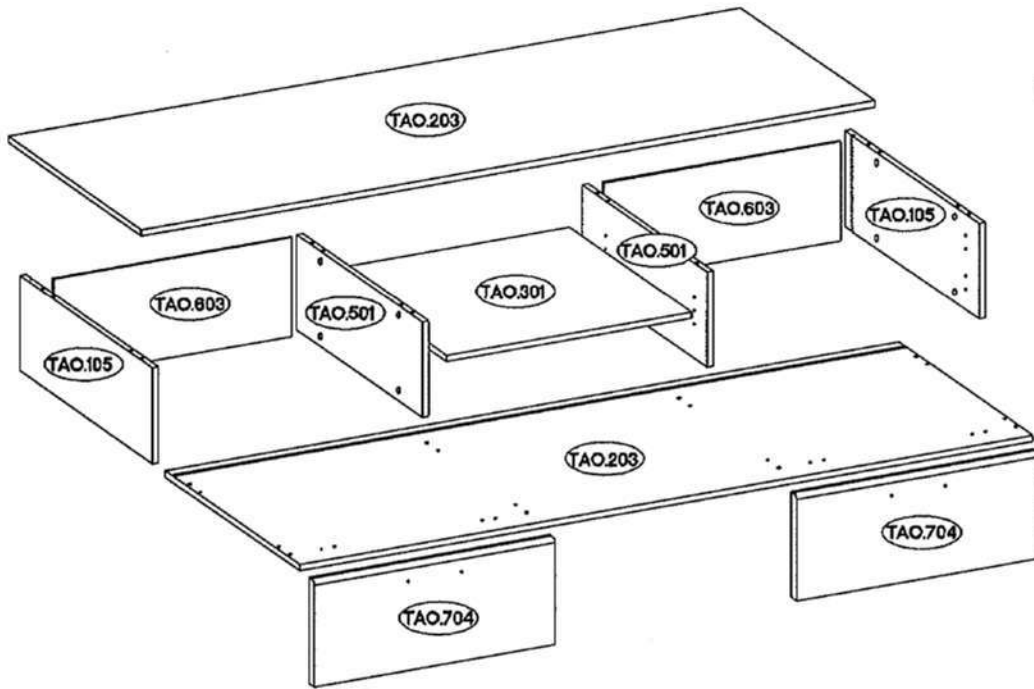
# REDSTAR



TAO.302 = max. 2kg


TAO.301 = max. 5kg

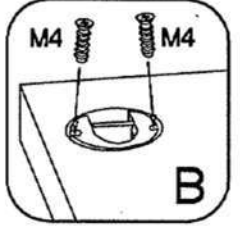
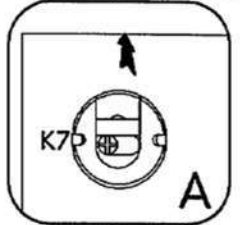
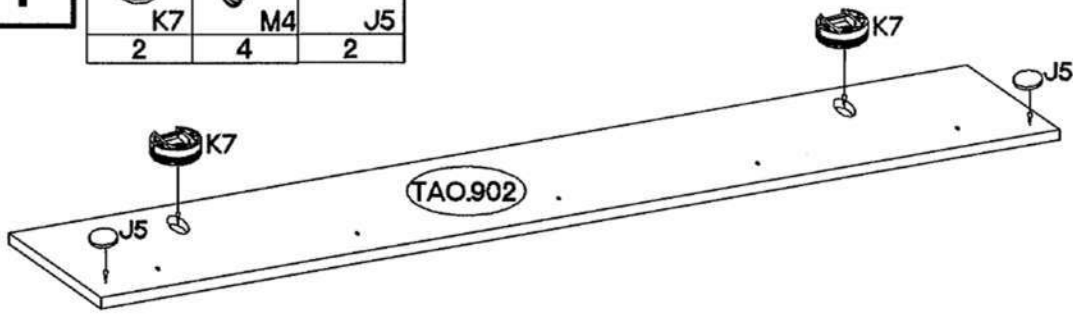
TAO.203 = max. 20kg




	H=0	135/0mm	13.5x13mm		16,3x9mm	5/45mm	110x50mm	14x70mm	17/2mm	13.0x16mm	
	H	G	P5	K7	M4	O3	O7	P18	J5	P11	
	4	4	8	2	4	2	2	5	2	10	
L=20mm	115/12mm	18x30mm			14.0x25mm	L=128mm	14.0x30mm		15	13.5x13mm	
D2	C	A	L	E	F10	P14	S1	R2	K13	J1	P5
16	16	16	4	16	6	6	2	4	2	4	6

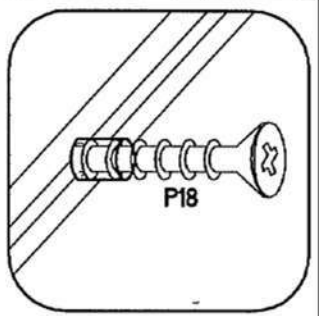
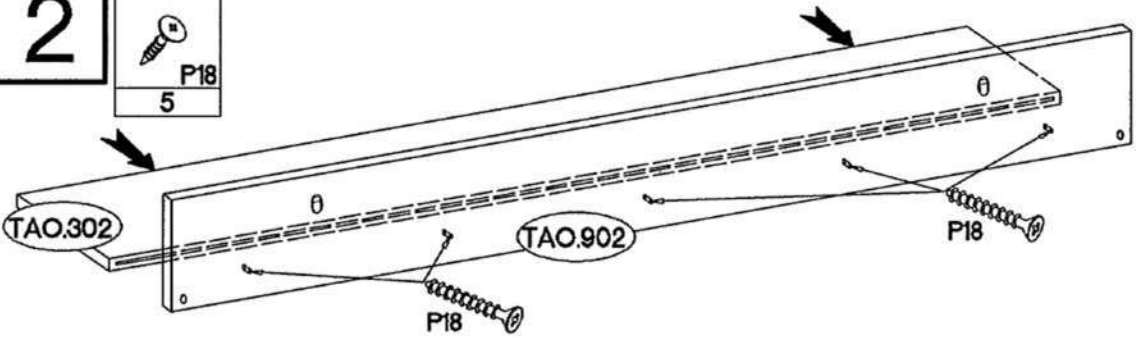
1

	+6,3x9mm	17/2mm
K7	M4	J5
2	4	2

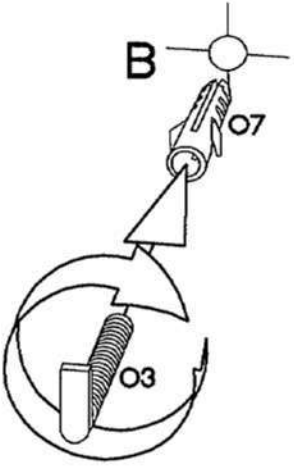
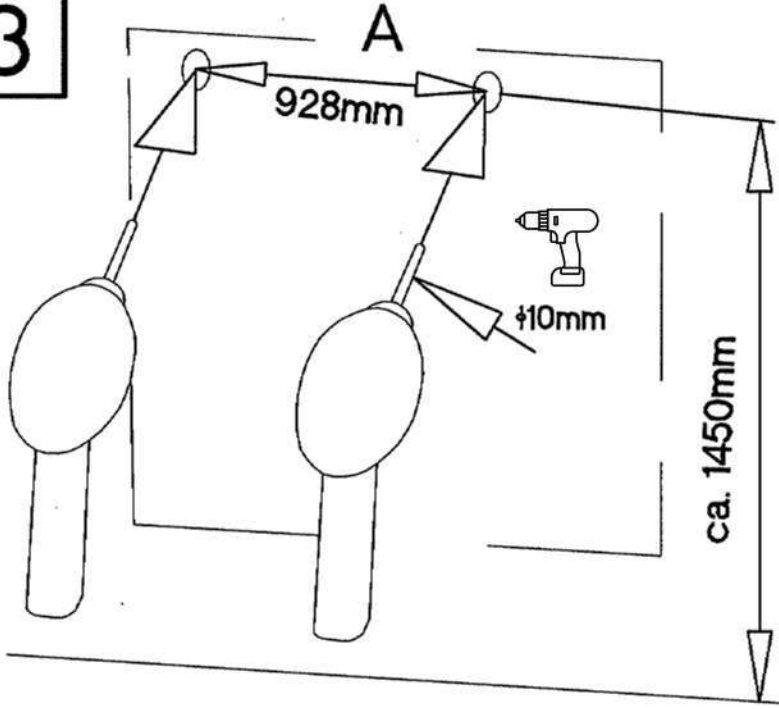




2

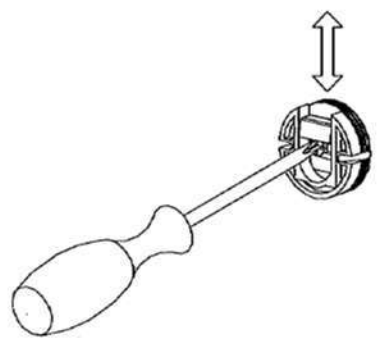
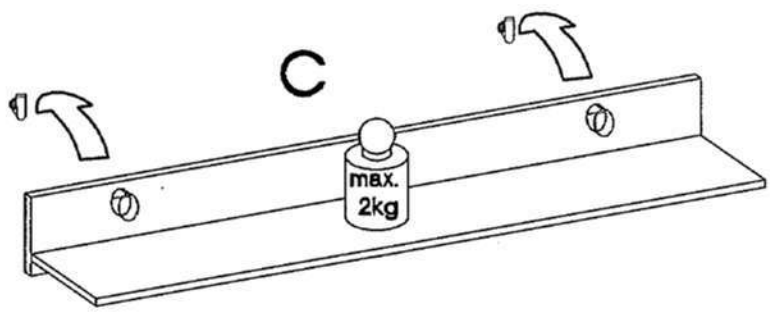
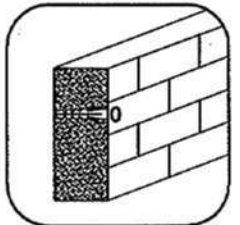
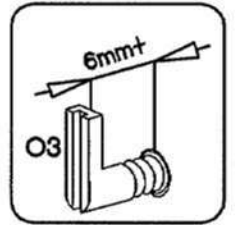
+4x70mm

P18
5



3

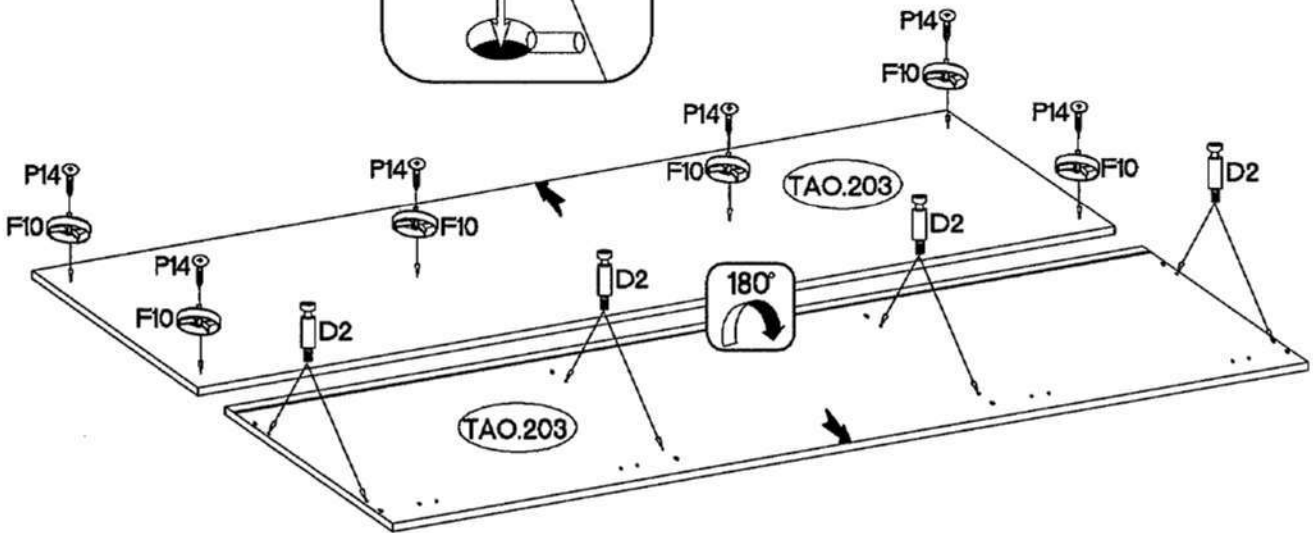
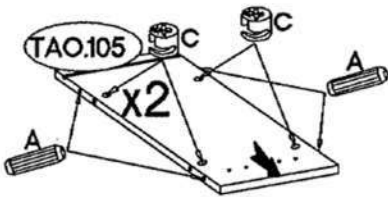
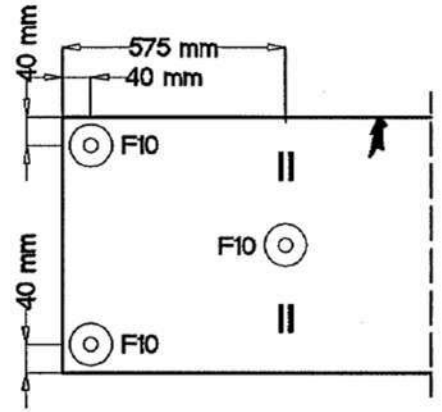
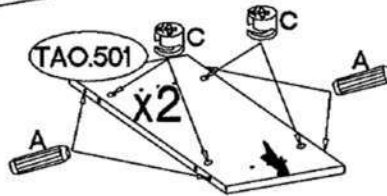
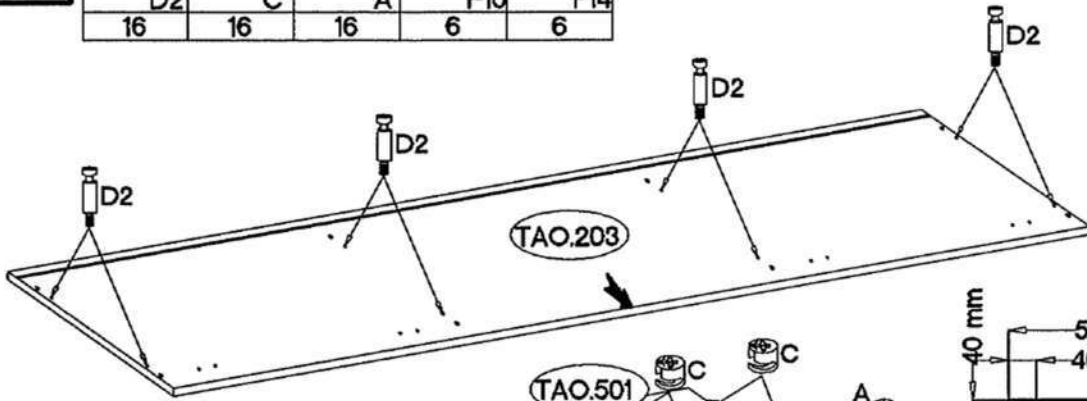
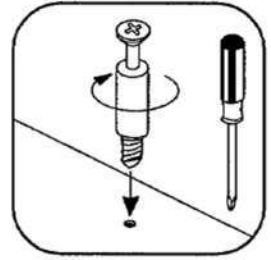


5/45mm	+10x50mm
	
O3	O7
2	2



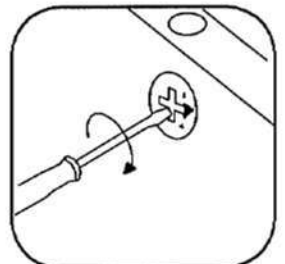
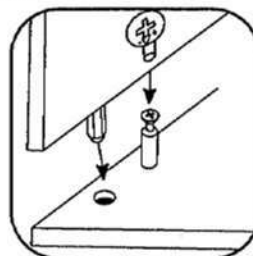
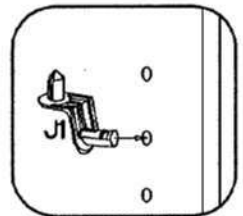
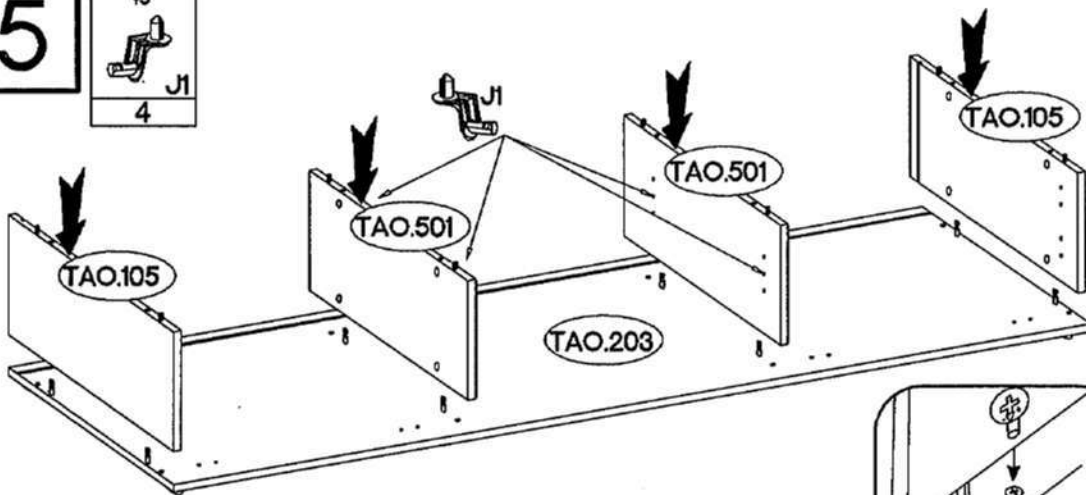
# 4

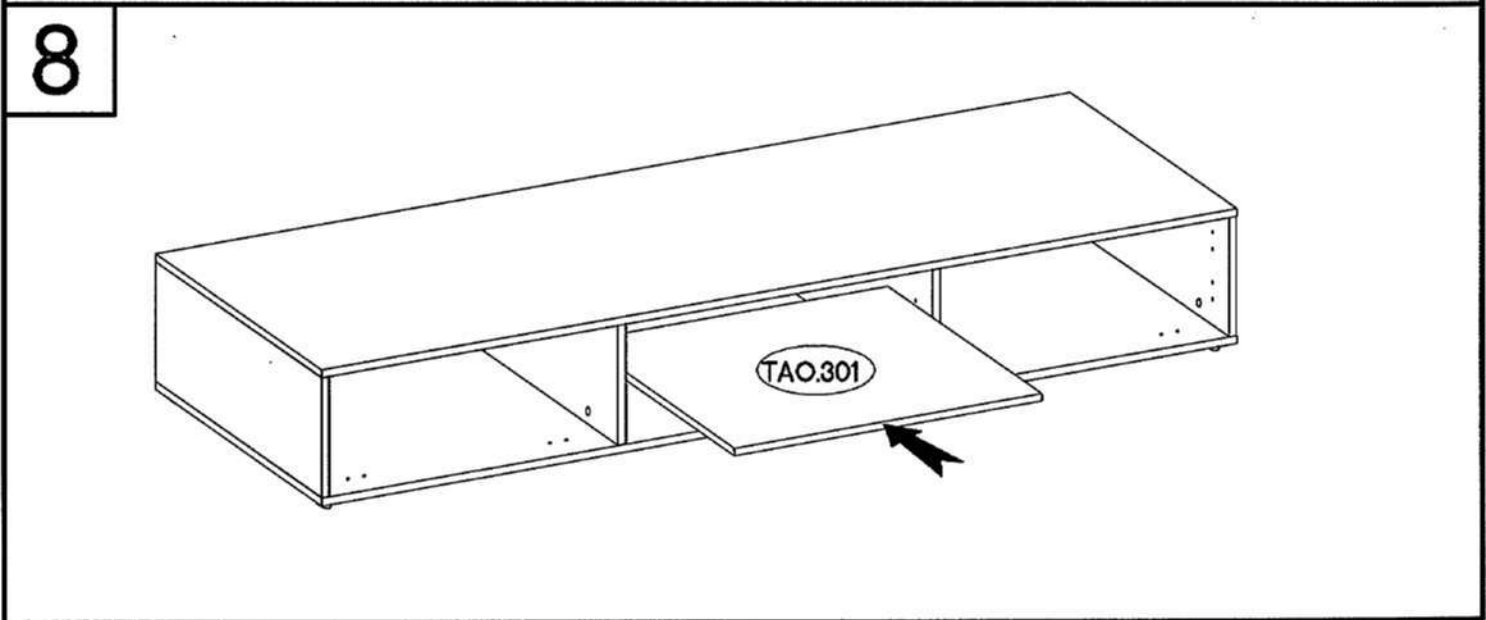
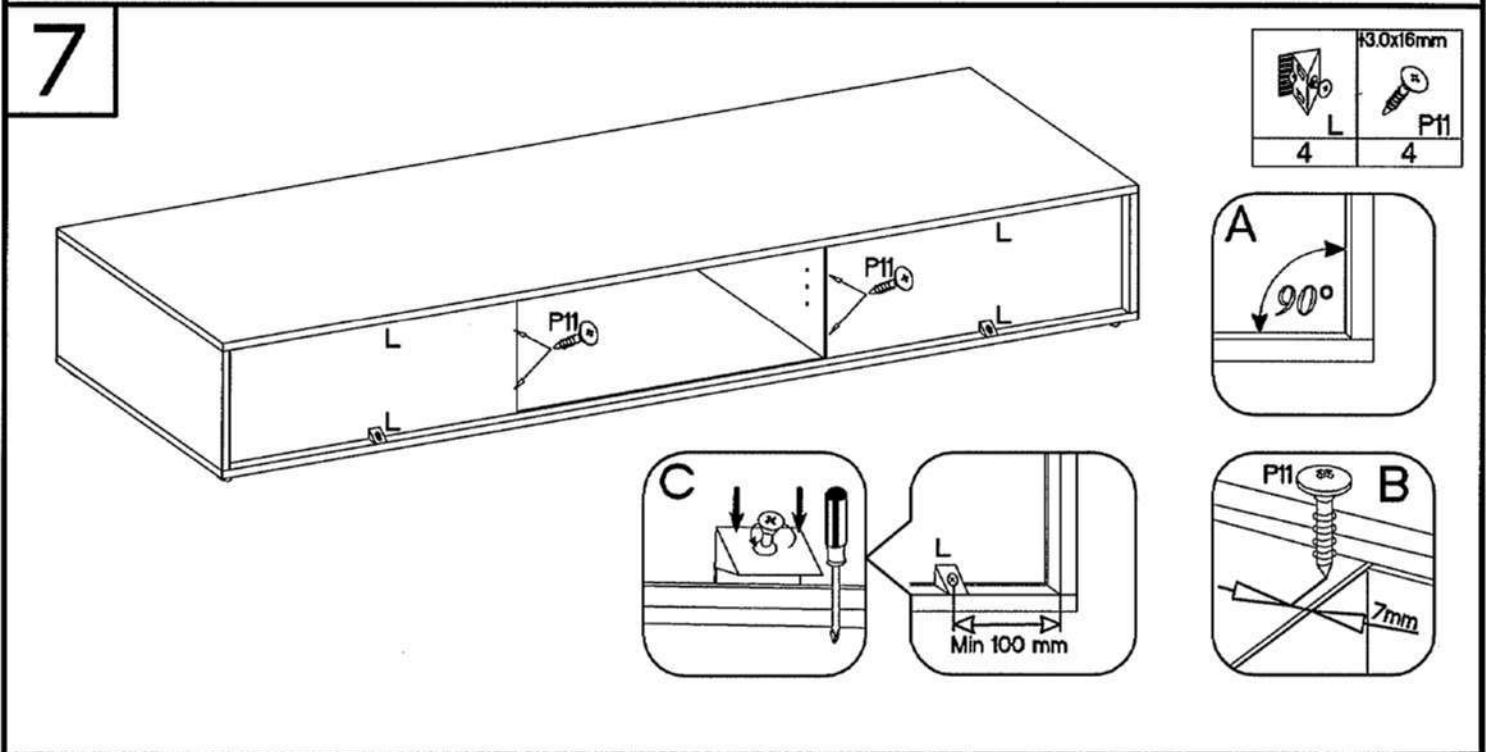
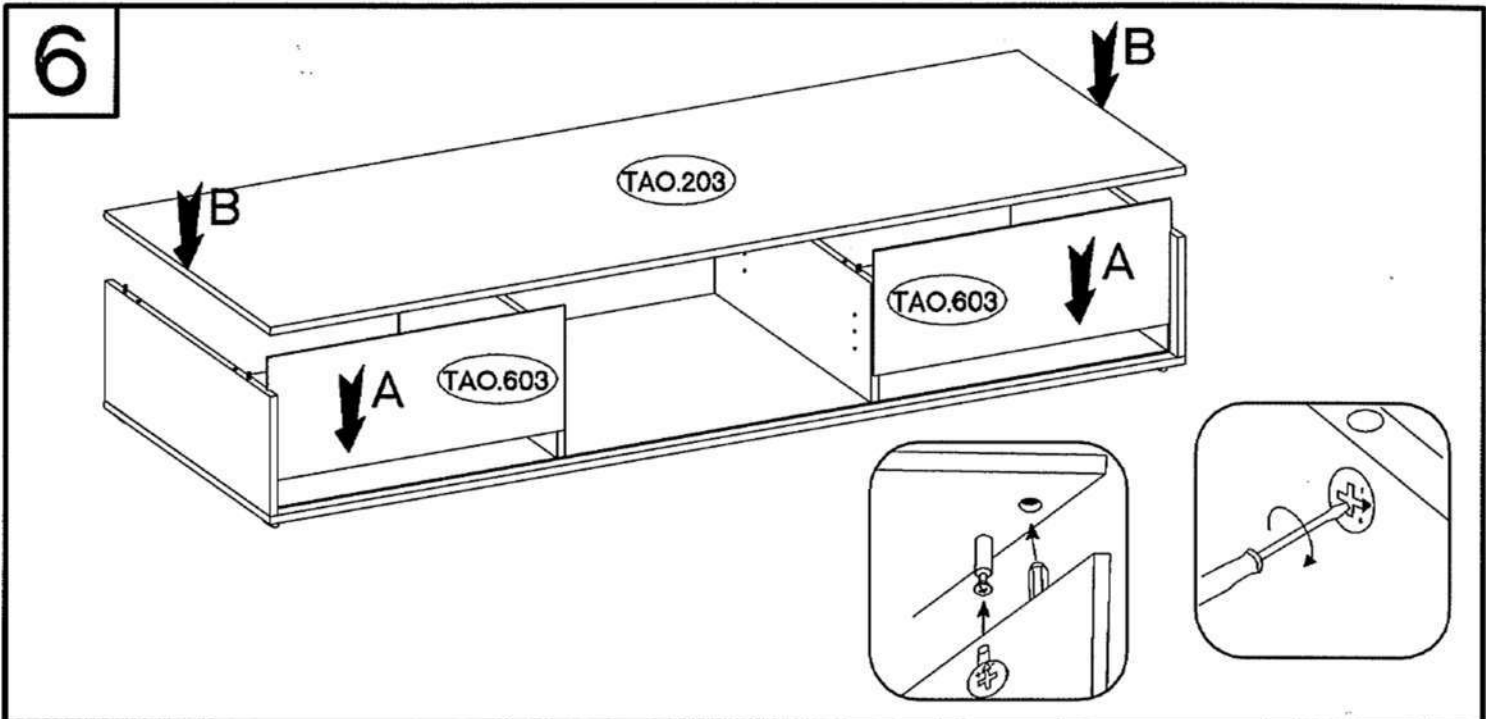
L=20mm D2	16/12mm C	18x30mm A	F10	14.0x25mm P14
16	16	16	6	6








# 5

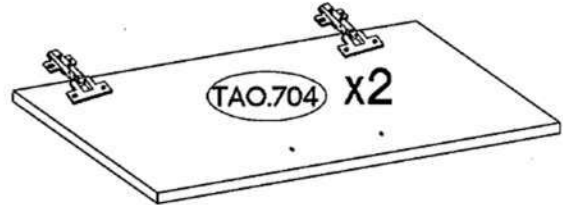
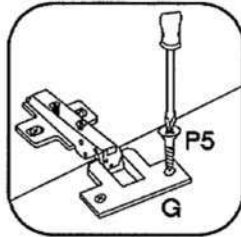
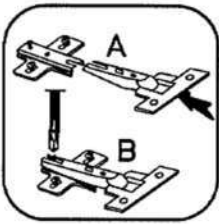
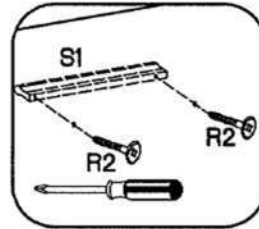
15 J1
4







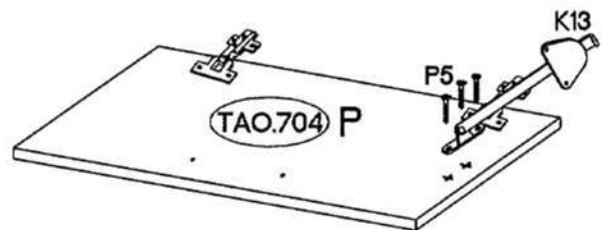
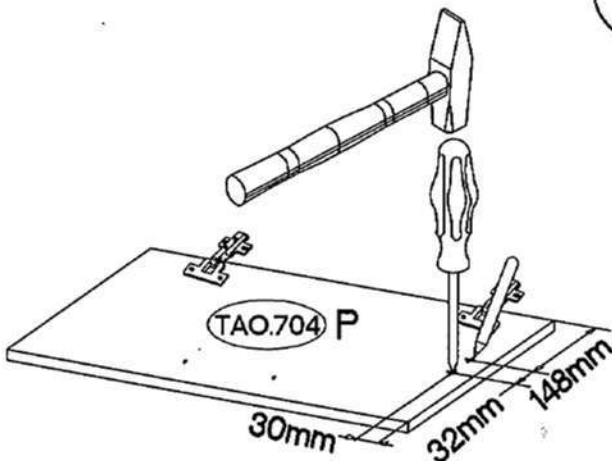
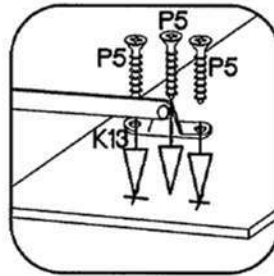
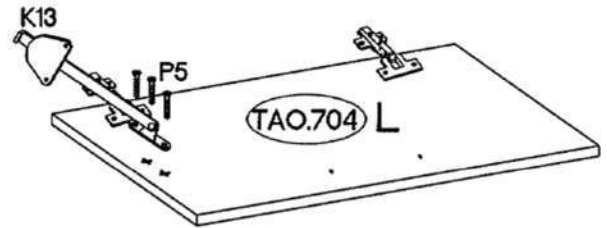
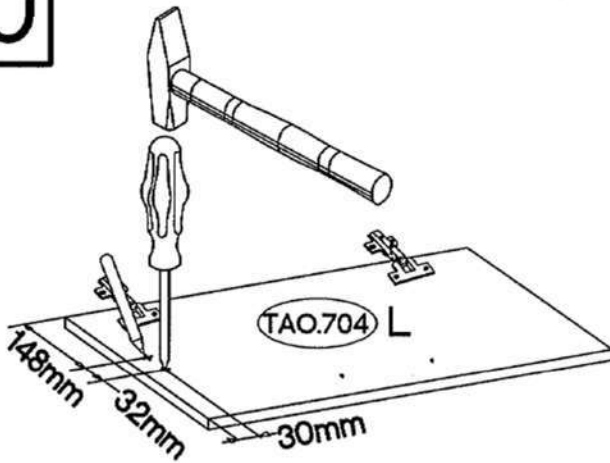
9

H-6  H	135/0mm  G	3.5x13mm  P5	L=128mm  S1	4.0x30mm  R2
4	4	8	2	4




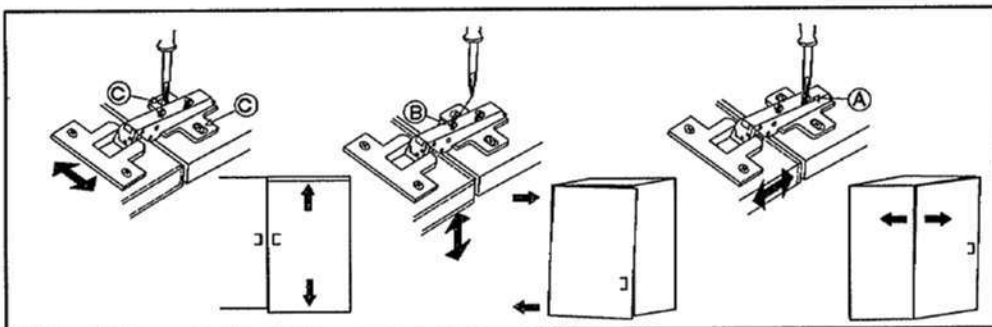
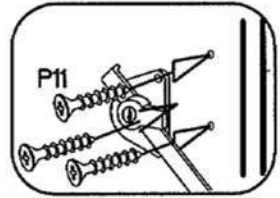
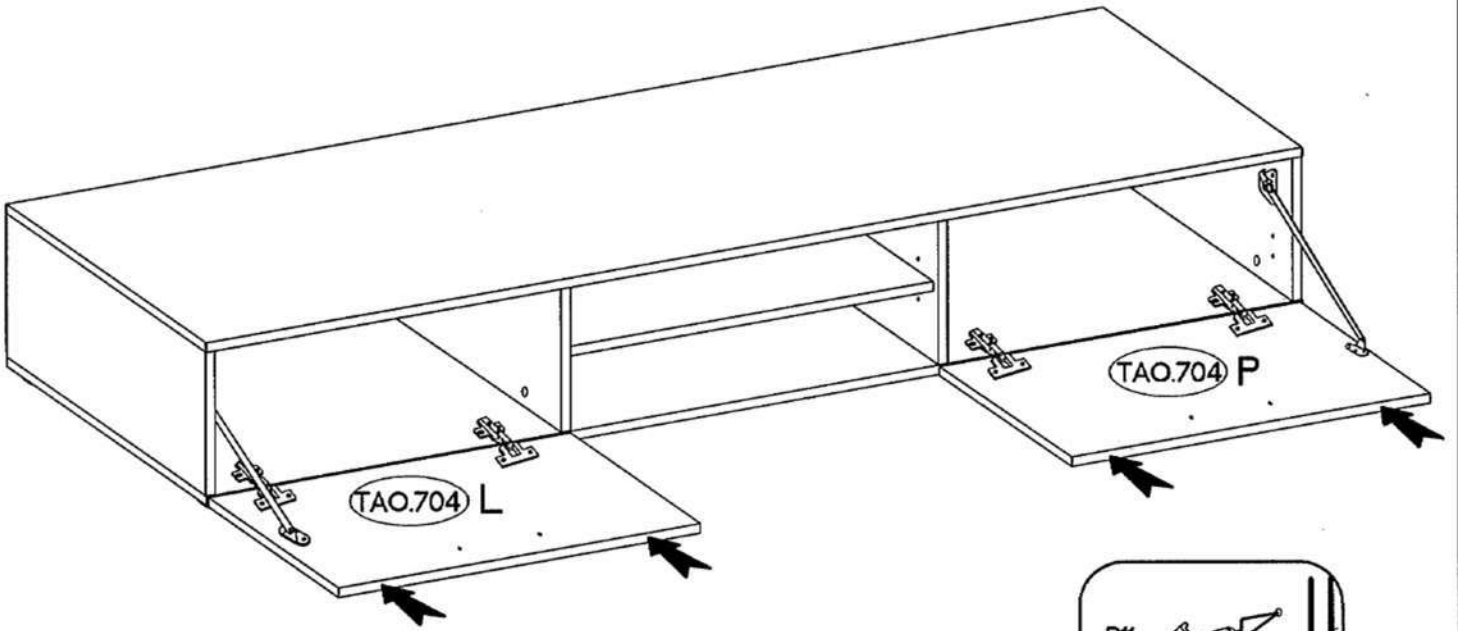
10

3.5x13mm  P5	 K13
6	2

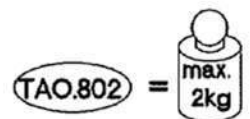
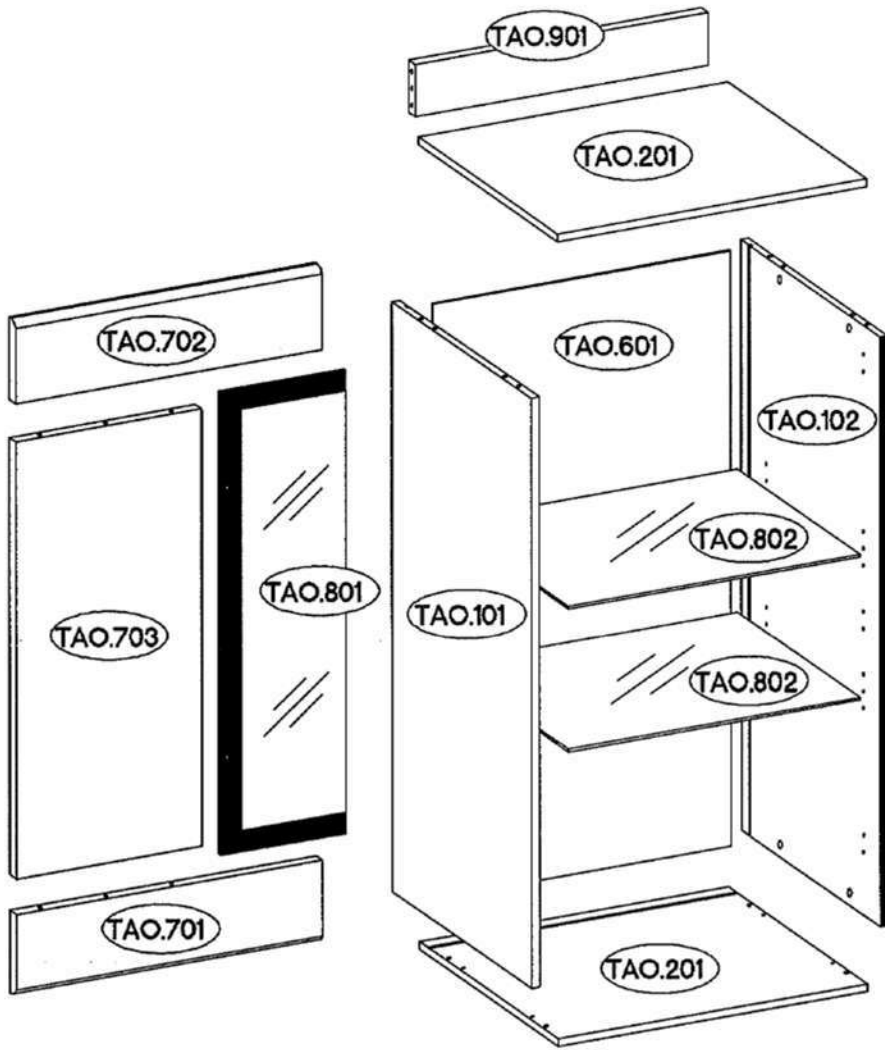
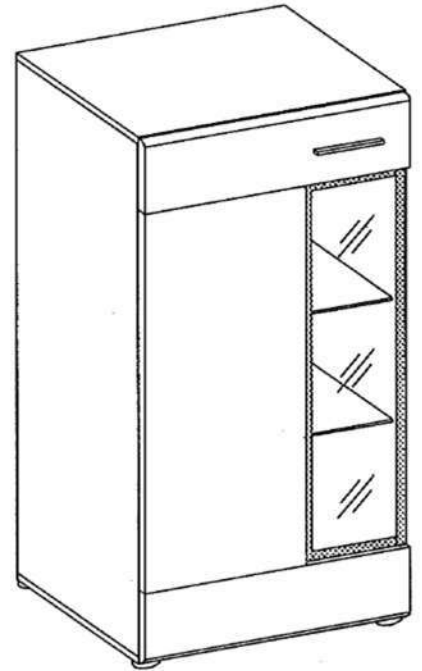



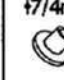
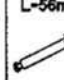


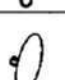

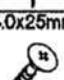


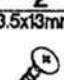

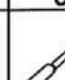
11

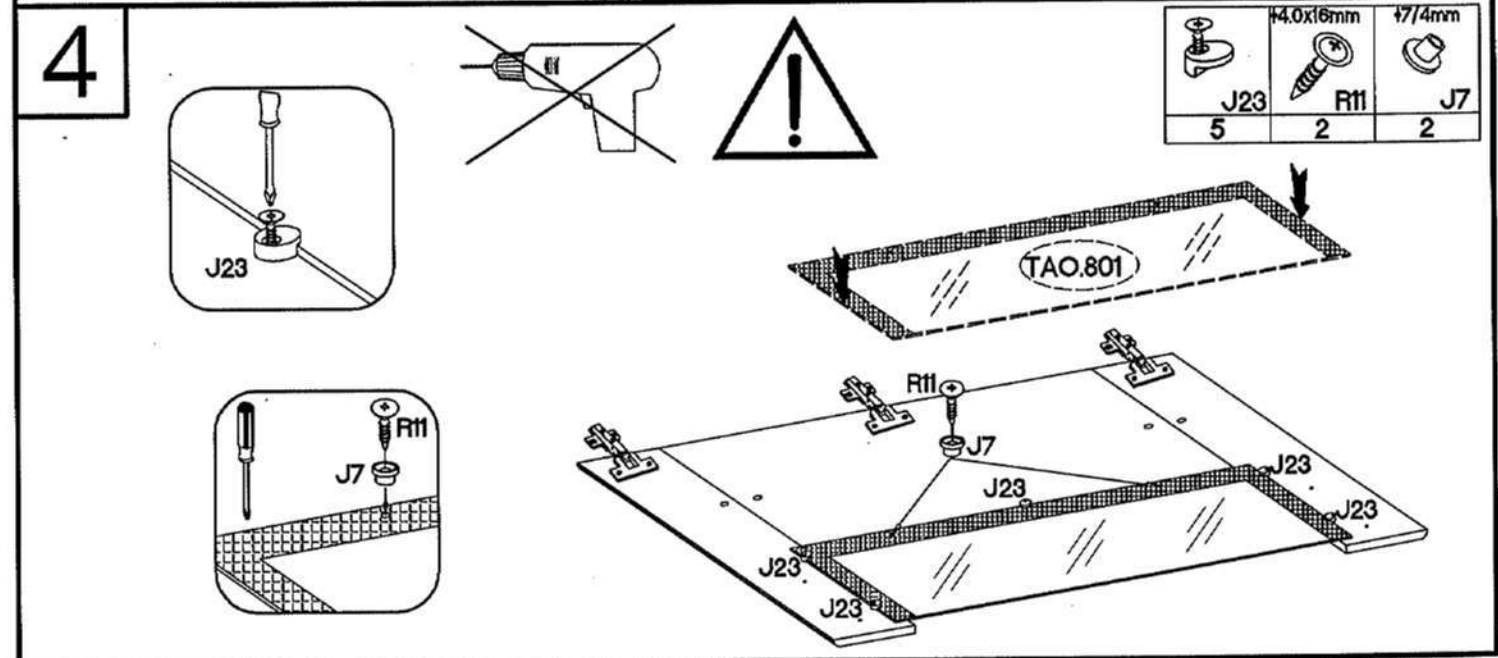
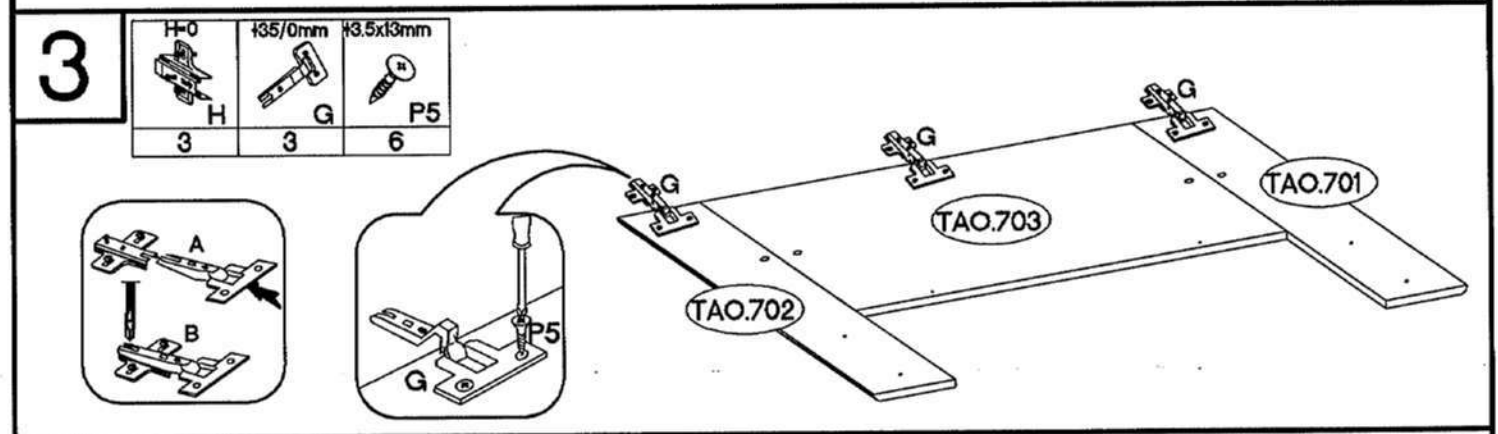
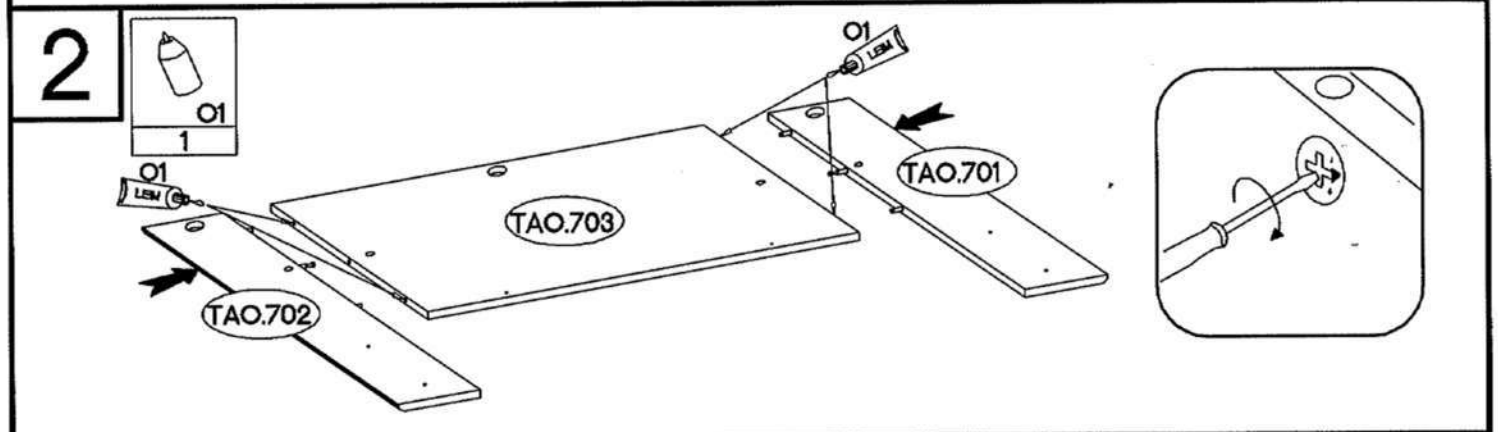
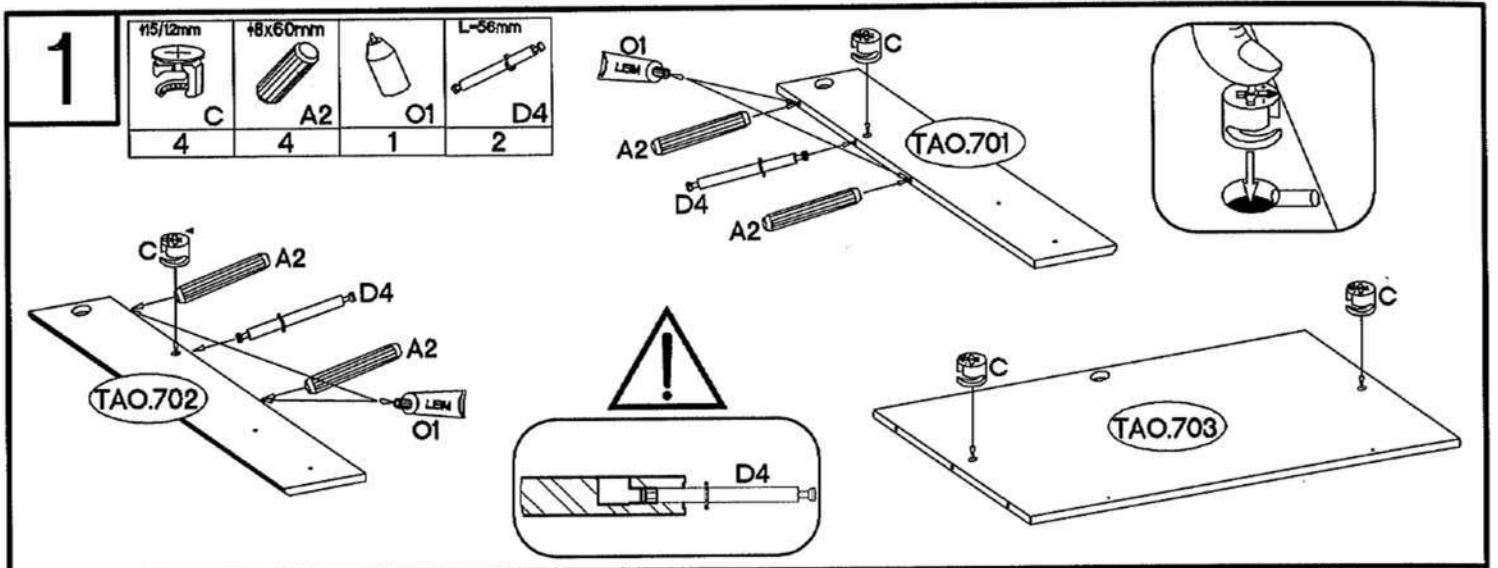
	3.0x16mm
E	P11
16	6



# REDSTAR








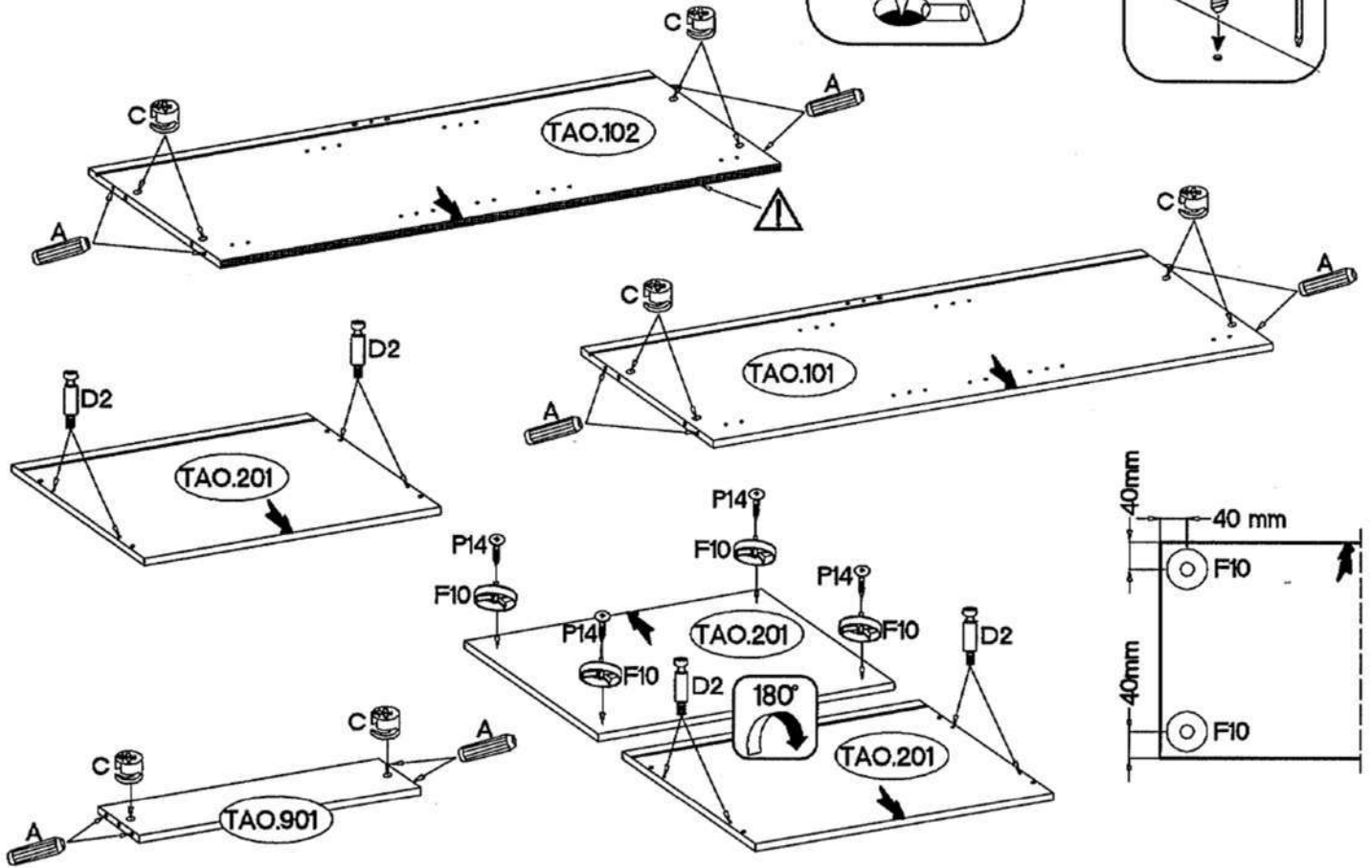
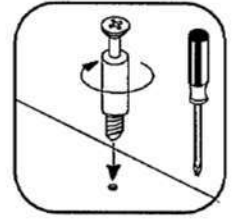
 H-0	 G	 P5	 A2	 O1	 J23	 R11	 J7	 D4	 J12		
3	3	6	4	1	5	2	2	2	8		
 D2	 C	 A	 L	 E	 F10	 P14	 S1	 R2	 P5	 O7	 L9
10	14	12	6	12	4	4	1	2	1	1	1



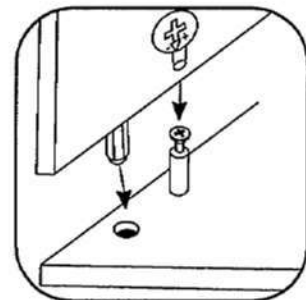
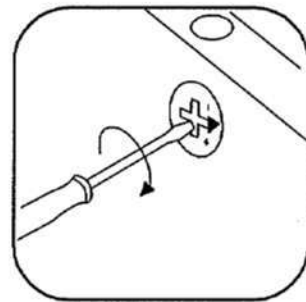
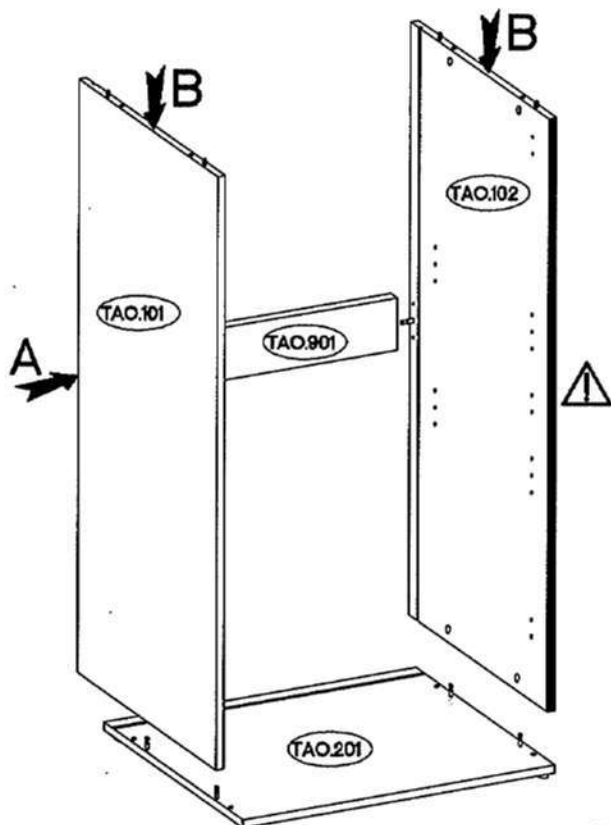


# 5

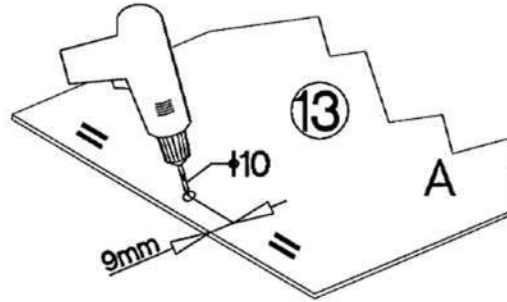
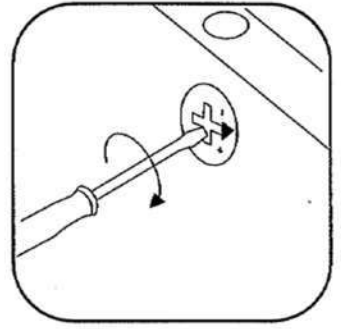
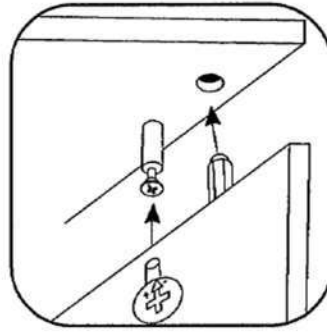
L=20mm  D2 10	+15/12mm  C 10	+18x30mm  A 12	 F10 4	+4.0x25mm  P14 4
---	--	--	---	--



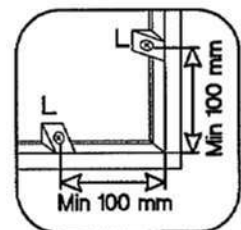
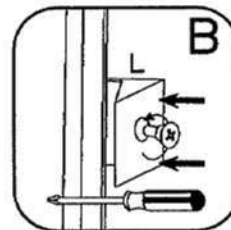
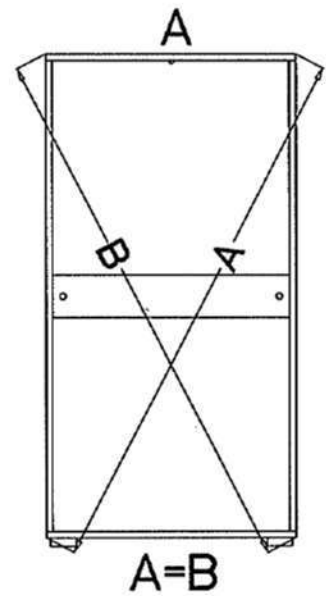
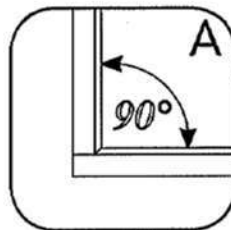
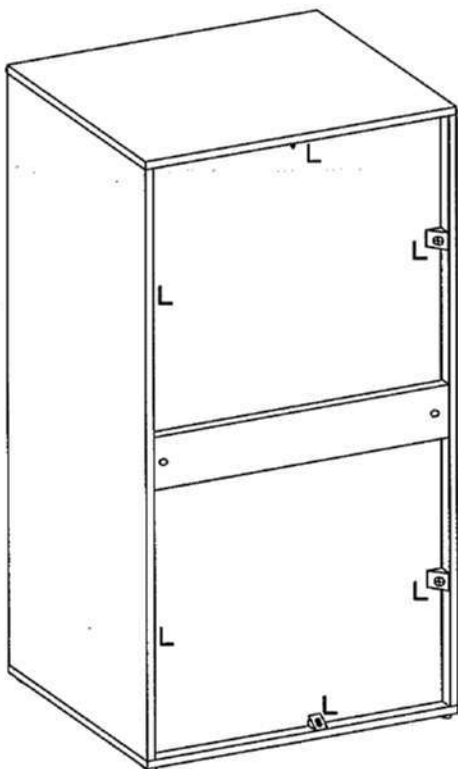
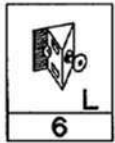
# 6






7

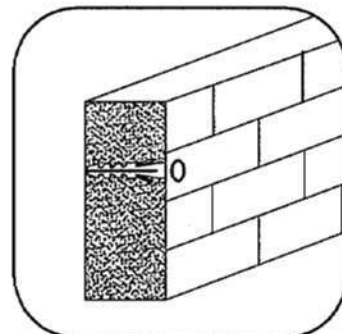
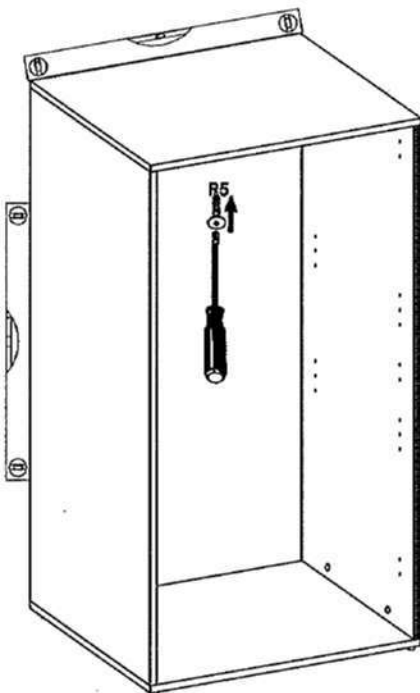
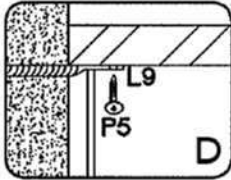
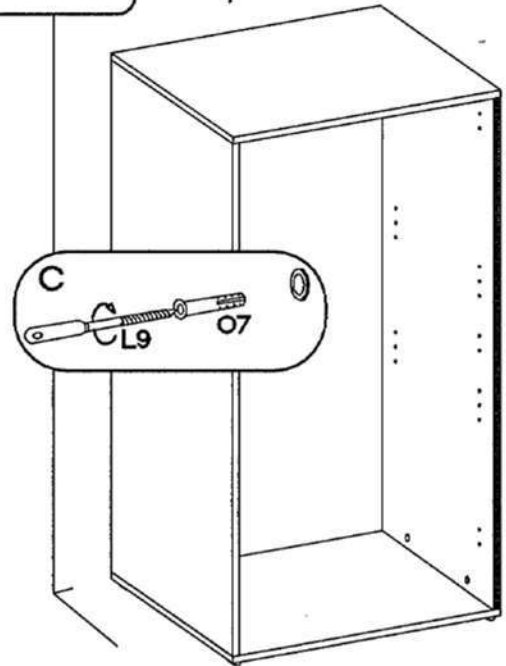
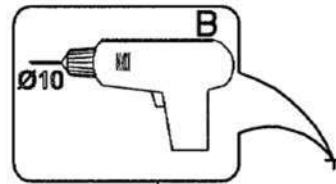
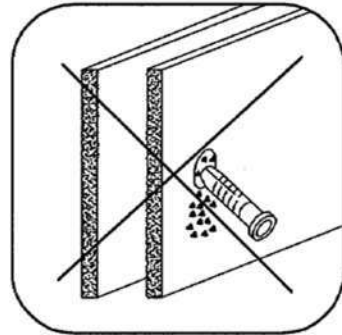
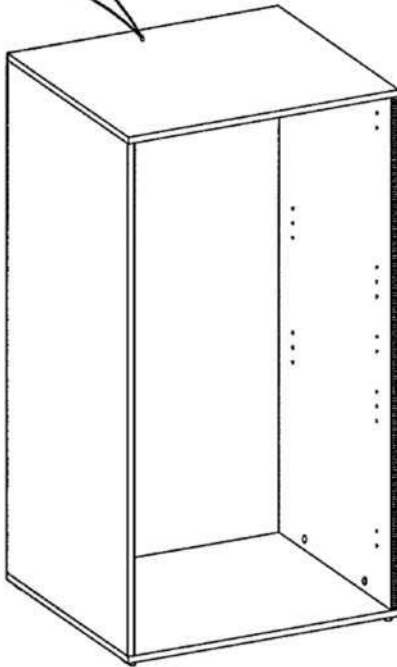
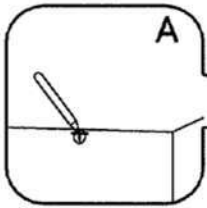


8



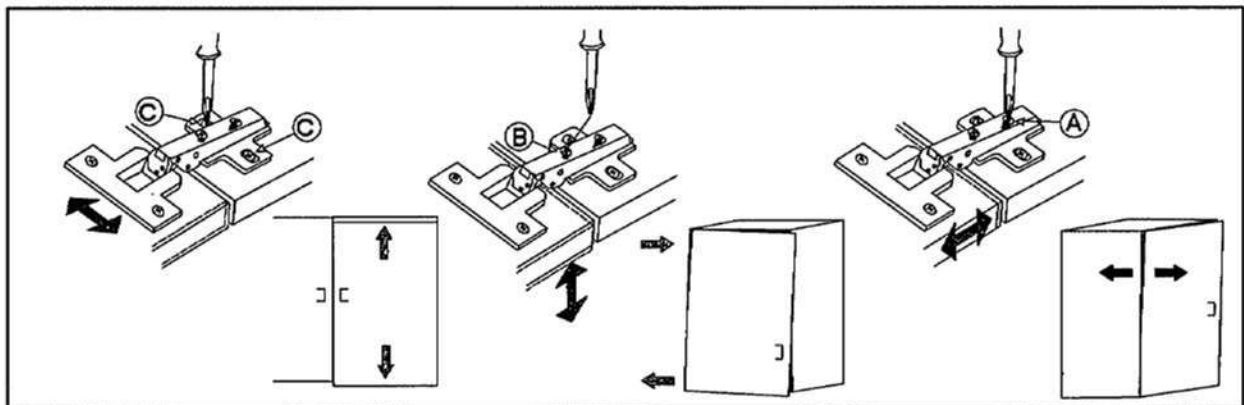
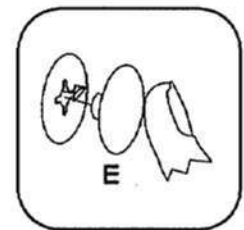
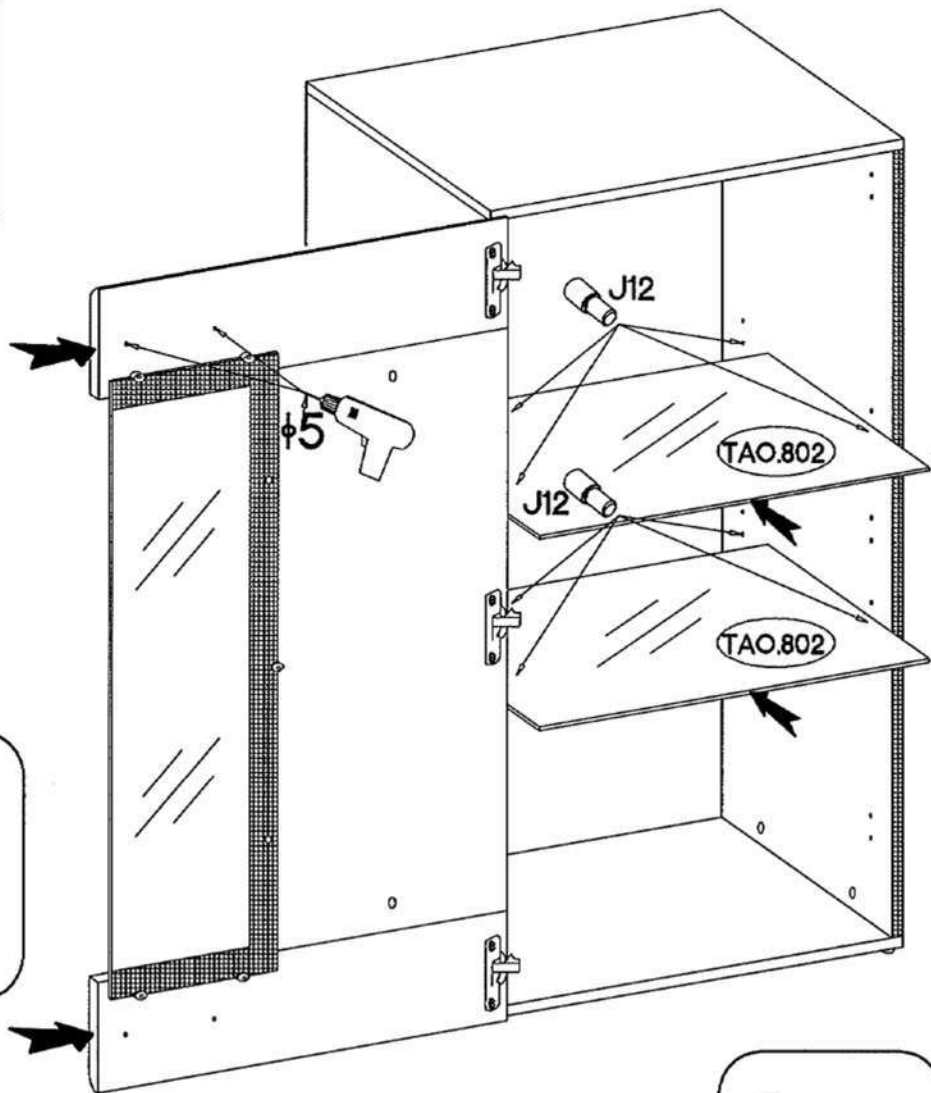
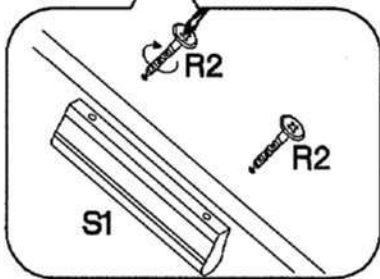
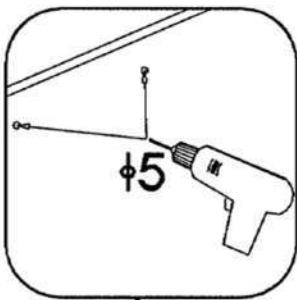
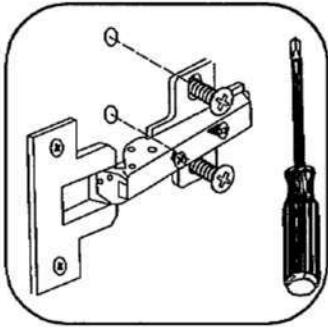
9

 P5 1	 O7 1	 L9 1
--	--	--







# 10

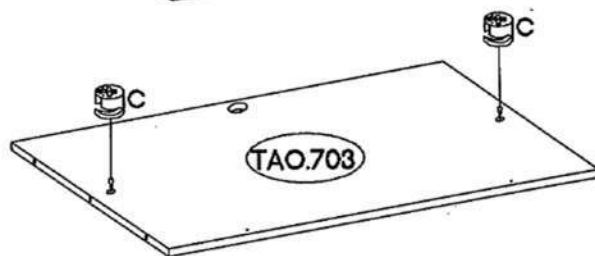
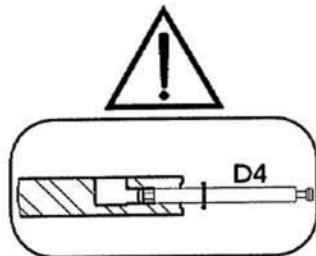
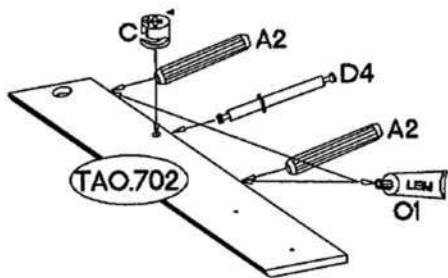
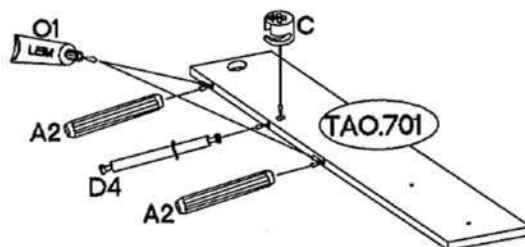
L=128mm S1	4.0x30mm R2	E	J12
1	2	14	8




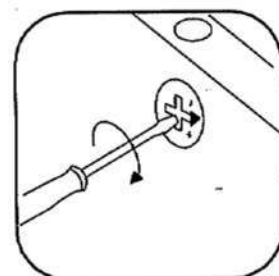
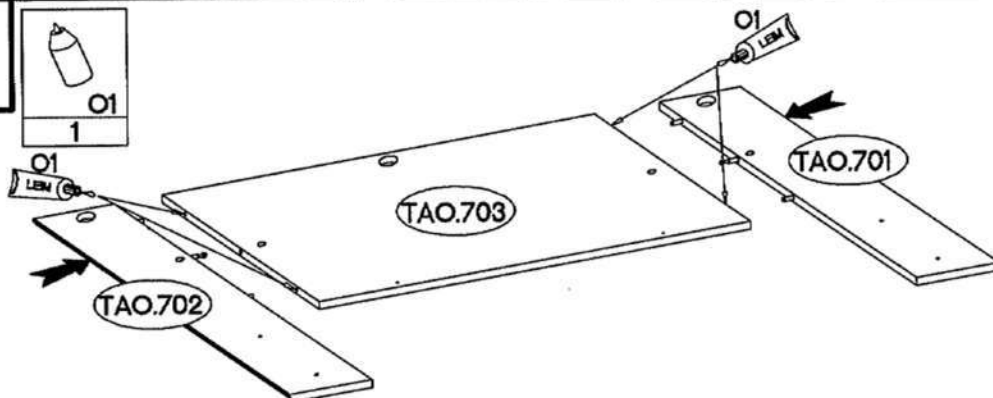





**1**

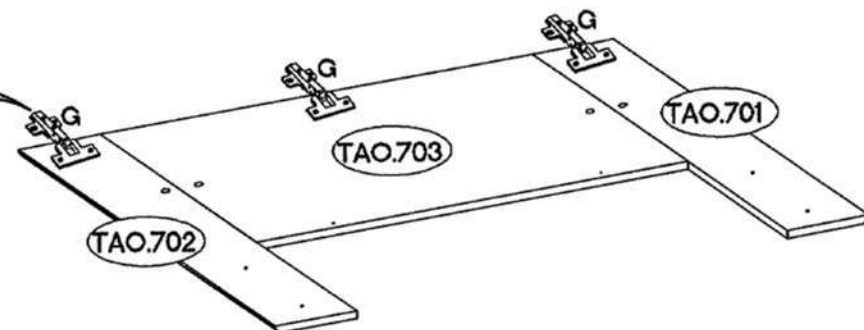
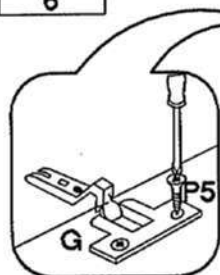
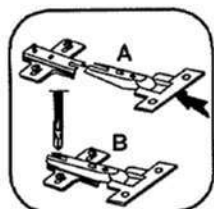
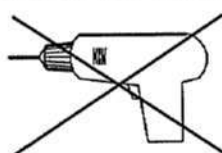
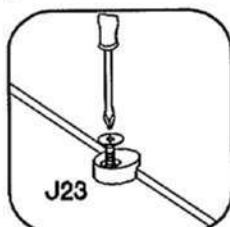
			
4	4	1	2


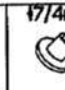
**2**

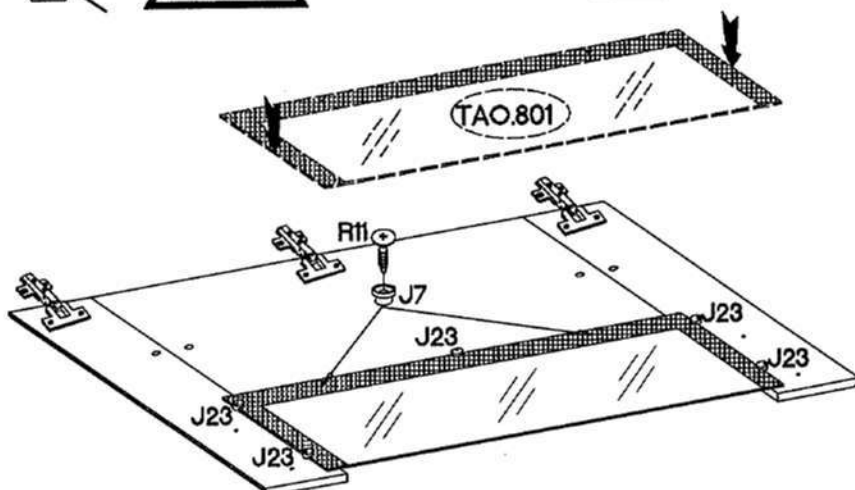
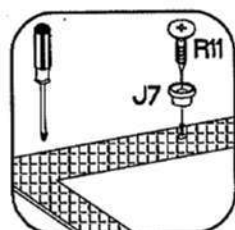

1

**3**




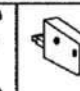
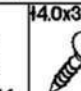
		
3	3	6

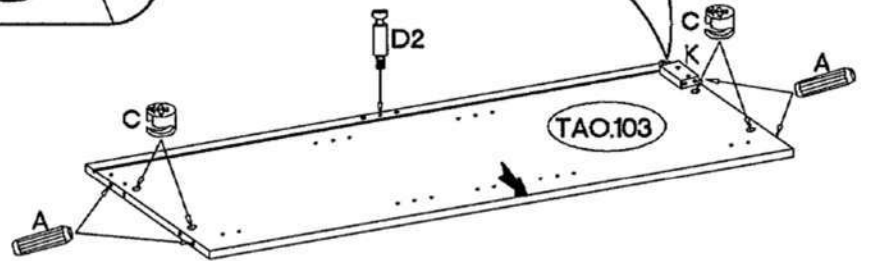
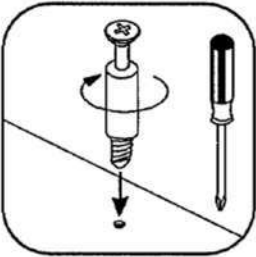
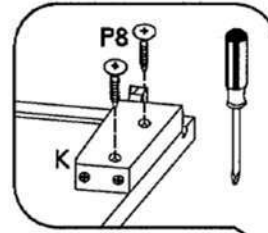
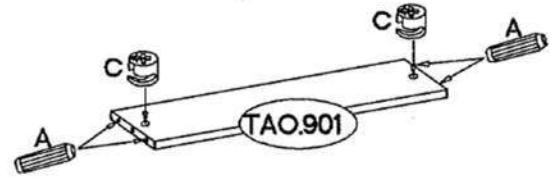
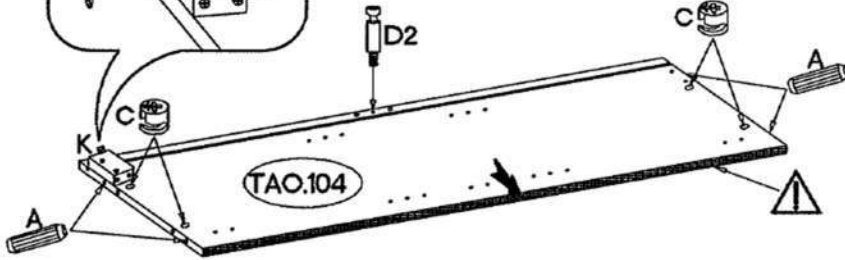
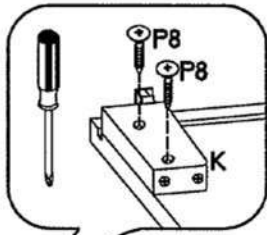
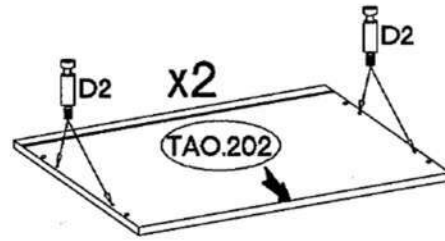
**4**

		
5	2	2

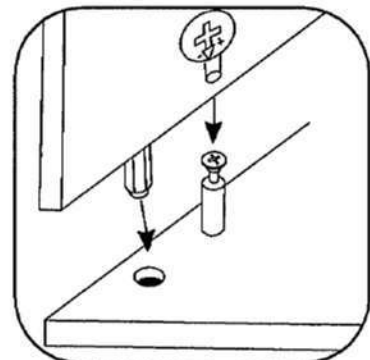
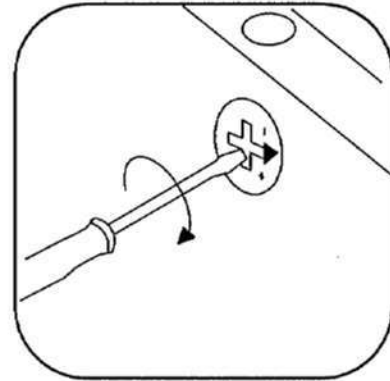
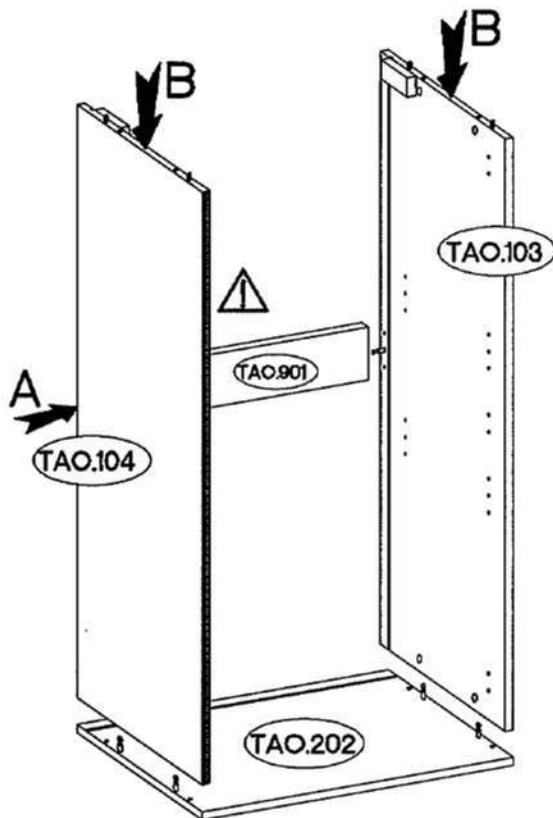


# 5

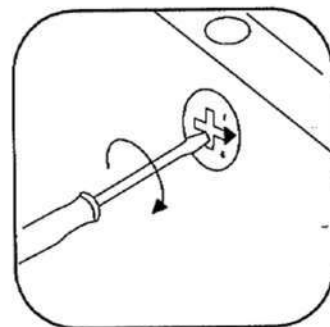
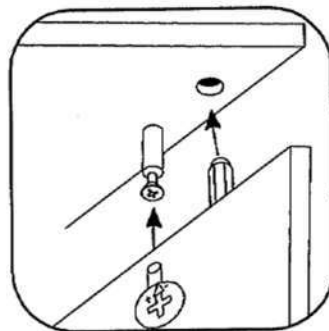
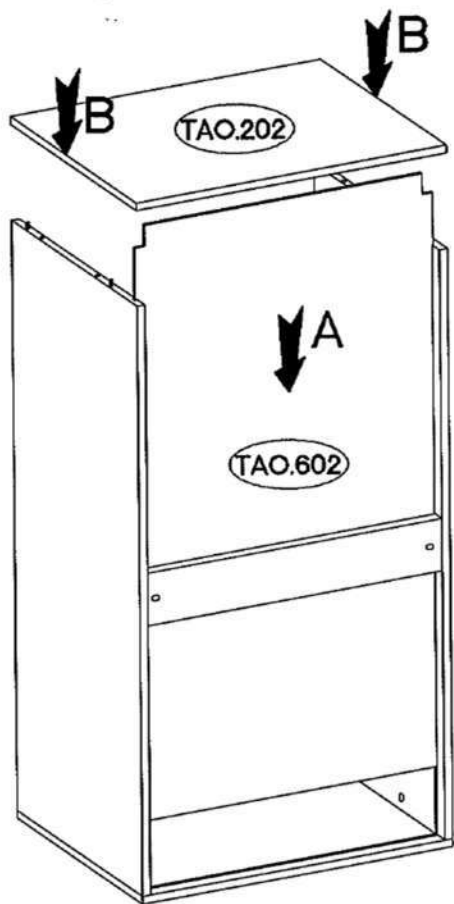
 L=20mm D2	 1/8"/12mm C	 1/8x30mm A	 K	 4.0x30mm P8
10	10	12	2	4



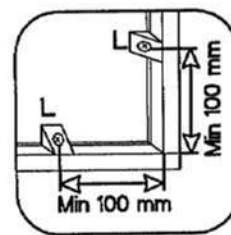
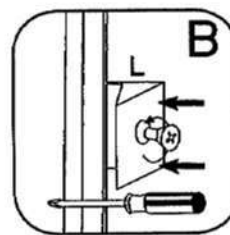
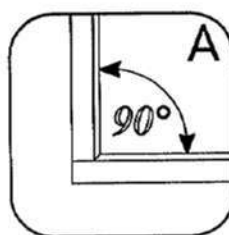
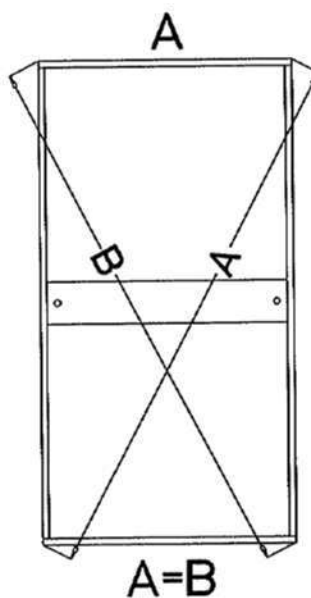
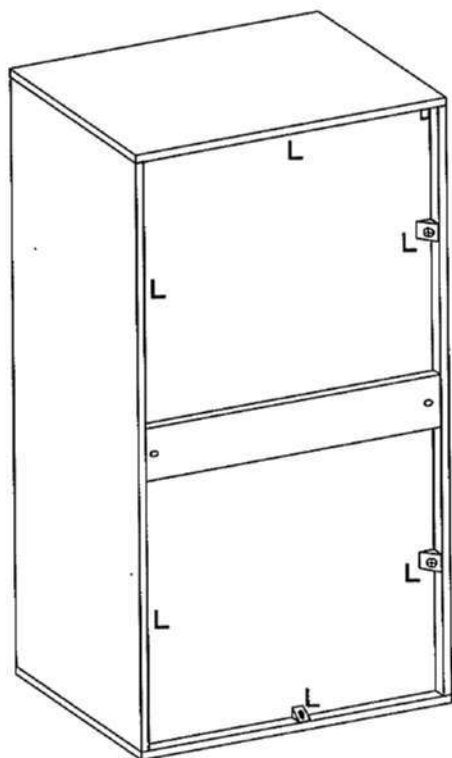
# 6



7





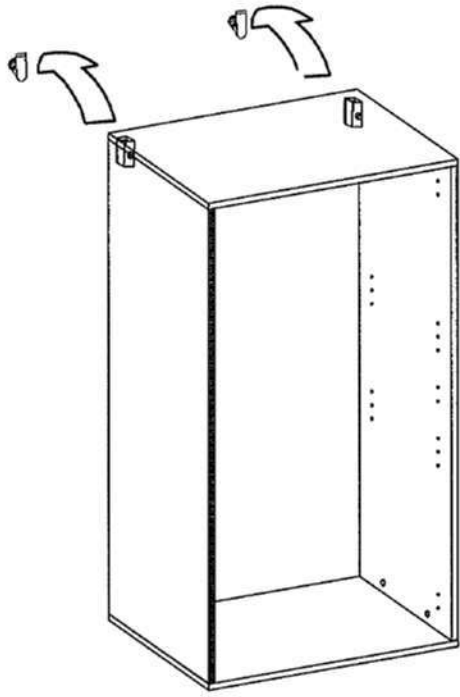
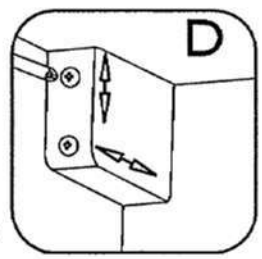
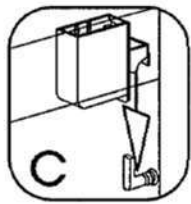
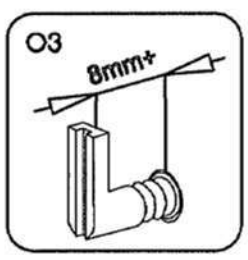
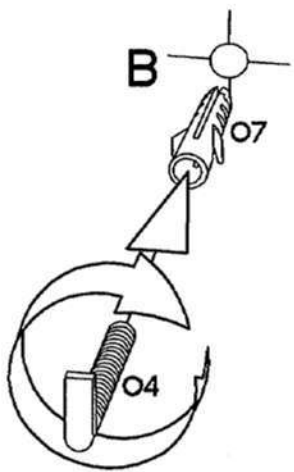
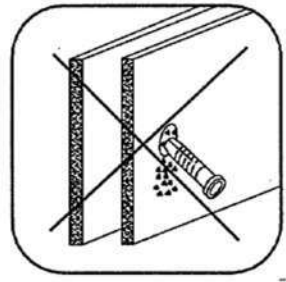
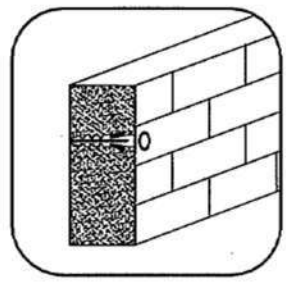
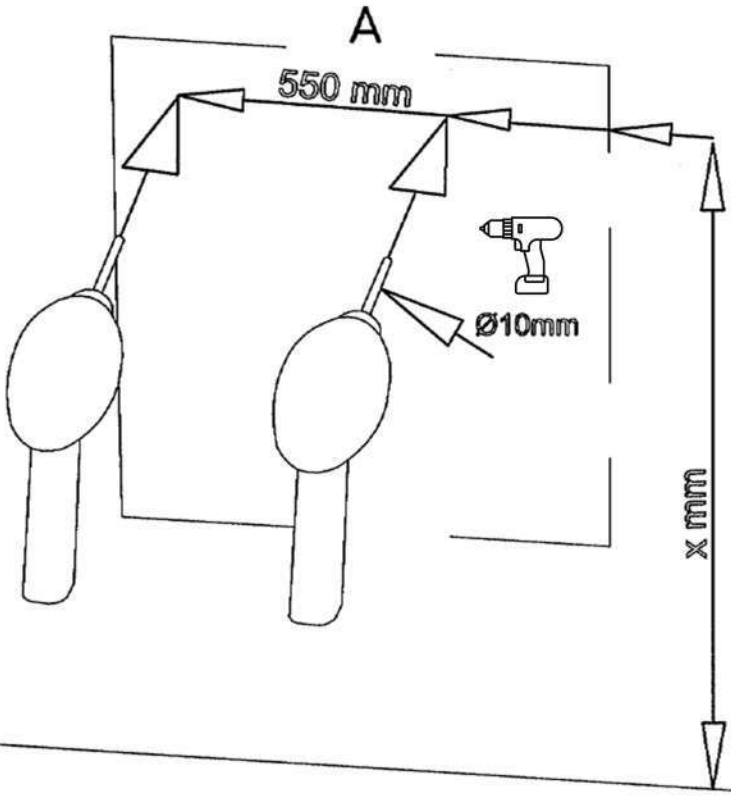
8



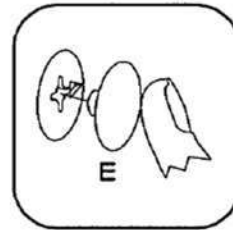
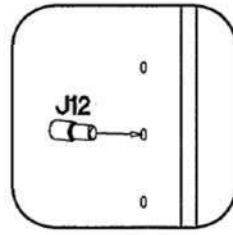
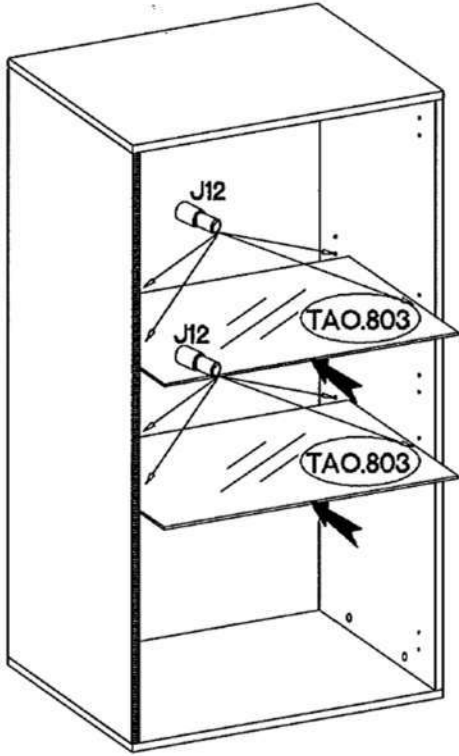




9

110x50mm	6,5/68mm
	
O7	O4
2	2

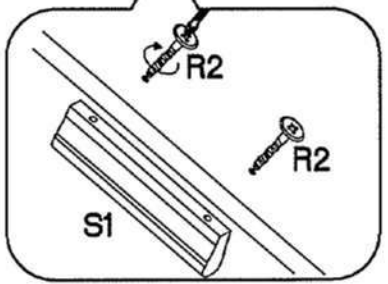
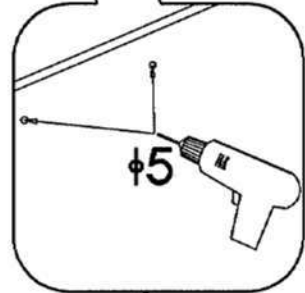
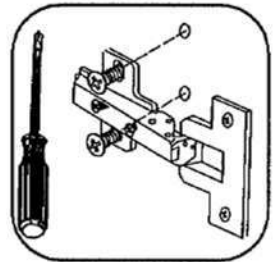
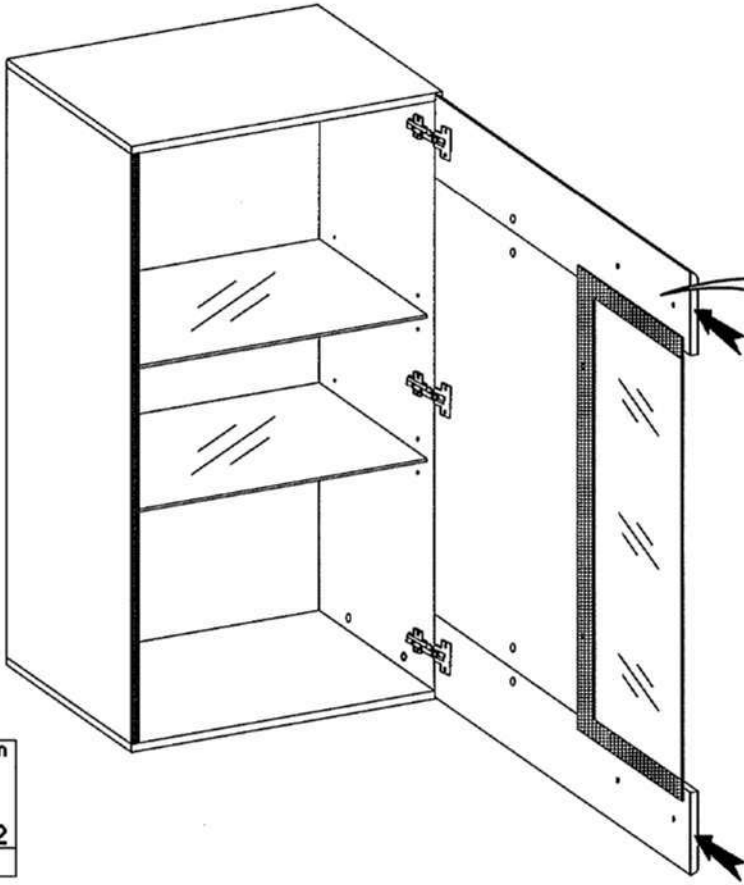





10



	
E	J12
8	8

11



	E
4	
L=128mm	+4.0x30mm
	
S1	R2
1	2

